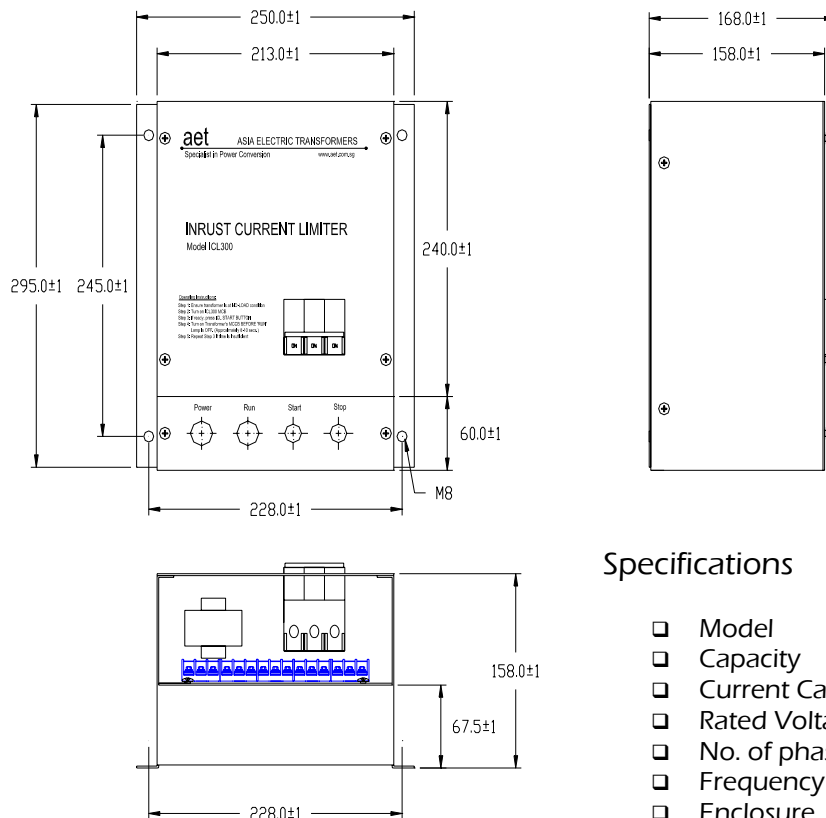


Preview

When a transformer is switched to an AC voltage, an initial high transient current as high as 8 times the transformer rated current will be drawn from the electrical network. The occurrence of this transient current is due to the low impedance of the winding and residual flux in core.

The presence of this transient current often causes unnecessary tripping of breaker at upstream even though this inrush current only last less than half a cycle. With the introduction of ICL300 Inrush Current Limiter, all problem related to this transient current will be eliminated. Because of the leading high resistance path, the inrush current spikes are limited or damped. Reduction of inrush current also avoids voltage sag.

ICL300 is developed through ours years of experience in Low-Voltage and High Capacity transformers. It is proven and tested on site. With ICL300, turning on of transformers will be at ease and safe.



Optional features

- Remote control units
- Motorized MCCB operation control
- On-load switching prevention function
- Surge arresters

Specifications

- Model : ICL300
- Capacity : up to 1000kVA
- Current Capacity : 30A
- Rated Voltage : 380 to 480 Volts
- No. of phase : 3
- Frequency : 50/60 Hz
- Enclosure : IP 22
- Ambient temperature : -40D,max. 55°C
- Humidity : max. 95%
- Mounting : Any
- Service life : 10 000 operations

Operating Instructions:

1. Before Turn on

- Setp 1 : Ensure ICL300 is properly connected as shown in Figure 1.
WARNING: WRONG CONNECTION WILL CAUSE DIRECT PHASE TO PHASE SHORT-CIRCUIT
- Setp 2 : Ensure the transformer is at NO-LOAD conditions.
- Setp 3 : Ensure the transformer’s MCCB and ICL300’s MCB is at OFF position.
- Setp 4 : Check ICL300’s internal timer is set between 5 to 8 secs.

2. During Turn on

- Setp 1 : Turn on ICL300’s MCB.
Note: ICL300’s POWER & RUN Lamps should be ON.
If both lamps are not ON, check wiring again.
If problem persist, please contact AET at Tel:+65 62988550 for assistance.
- Setp 2 : Turn on transformer’s MCCB while the RUN lamp is ON.
- Setp 3 : The RUN lamp will be off after 5 to 8 secs.
Do Not turn on the transformer’s MCCB if RUN lamp is OFF.
- Setp 4 : If the transformer’s MCCB is not turn on within RUN status, press the RESET button and repeat from Step 2 again.
- Setp 5 : Turn off ICL300 MCB after transformer turned on.

Connections diagram

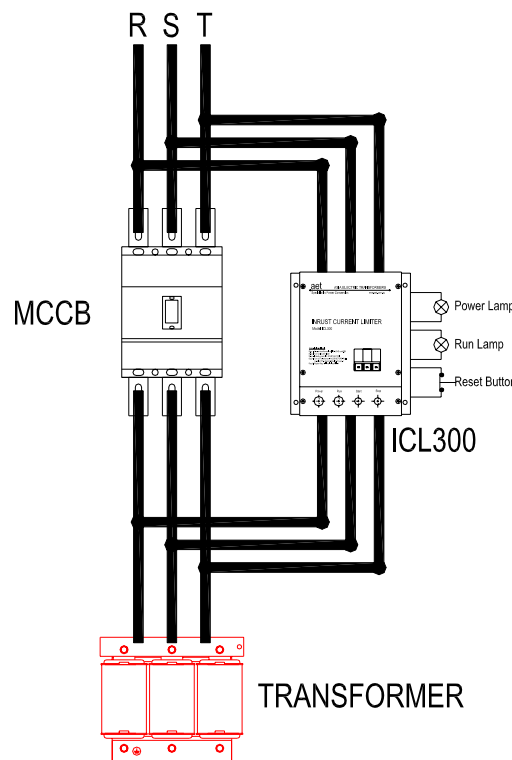


Figure 1.